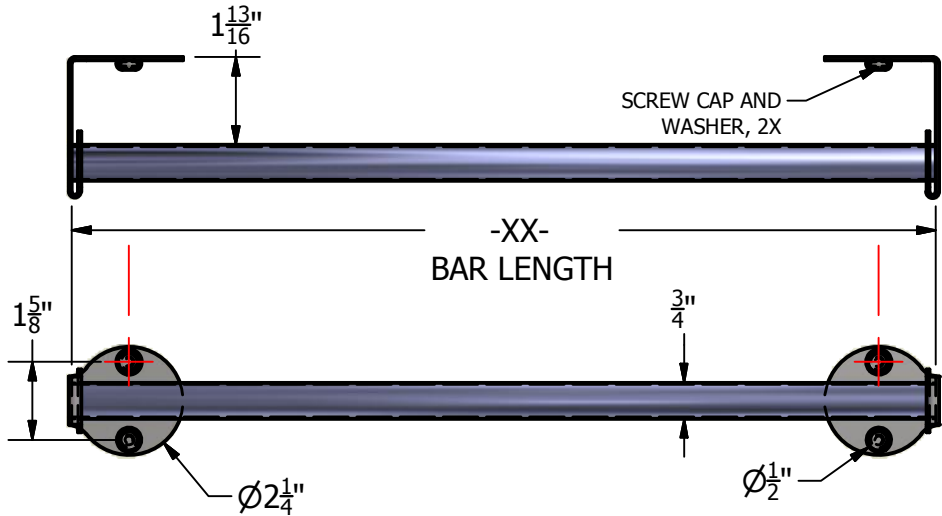




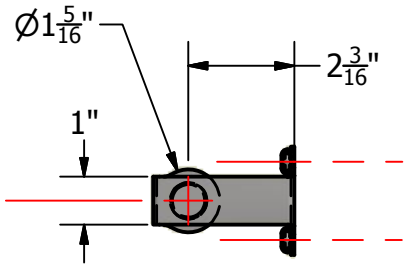
# Technical Data Sheet

S-3042-XX-XX  
ROUND TOWEL BAR



PART# -BAR LENGTH - FINISH CODE  
S-3042 - XX - XX

SCREW CAP AND  
WASHER, 2X



FINISH CODE -XX  
- SS = SATIN STAINLESS STEEL  
- PC = POWDER COATED ( SPECIFY COLOR)

DATA CURRENT AS OF: 1/18/2013

## CONSTRUCTION:

TOWEL BAR POSTS: 16 GAUGE TYPE 304 STAINLESS STEEL, FORMED ONE PIECE.  
TOWEL BAR:  $\frac{3}{4}$ " $\phi$  X .035WALL TYPE 304 STAINLESS STEEL.  
SCREW: #8 WOOD X 1 1/2" LONG PHIL. PAN HEAD. 18-8 STAINLESS STEEL.  
SCREW CAP: ELECTROPLATED SATIN CHROME SNAP-CAP.  
WASHER: FLAT BOTTOM PLASTIC SNAP-CAP.

## INSTALLATION:

FASTEN ONE POST TO WALL USING THE SUPPLIED SCREWS THROUGH THE SNAP-WASHER AND APPROPRIATE WALL ANCHORS (NOT SUPPLIED).  
INSERT TUBE AND REPEAT FOR OTHER POST.  
PRESS ON THE SNAP-CAPS ONTO THE WASHER/SCREW UNTIL THEY SNAP INTO PLACE.

NOTE: TOWEL BAR IS ONLY AS STRONG AS THE ANCHORING DEVICES AND THE WALL ON WHICH IT IS MOUNTED TO.

## GUIDE SPECIFICATION:

FORMED ONE PIECE TOWEL BAR POSTS.  
16 GAUGE TYPE 304 STAINLESS STEEL.  
 $\frac{3}{4}$ " $\phi$  X .035WALL 304 STAINLESS STEEL TUBE.  
FINISHES AND BAR LENGTH AS INDICATED.

Brey-Krause Mfg. reserves the right to make changes in design and/or material without formal notice and without incurring any obligation.

**BREY-KRAUSE  
MANUFACTURING**  
© 2012

BREY-KRAUSE MANUFACTURING  
1209 W. Lehigh Street, Bethlehem, PA 18018  
Phone: 610-867-1401 Fax: 610-866-1433  
www.brey-krause.com